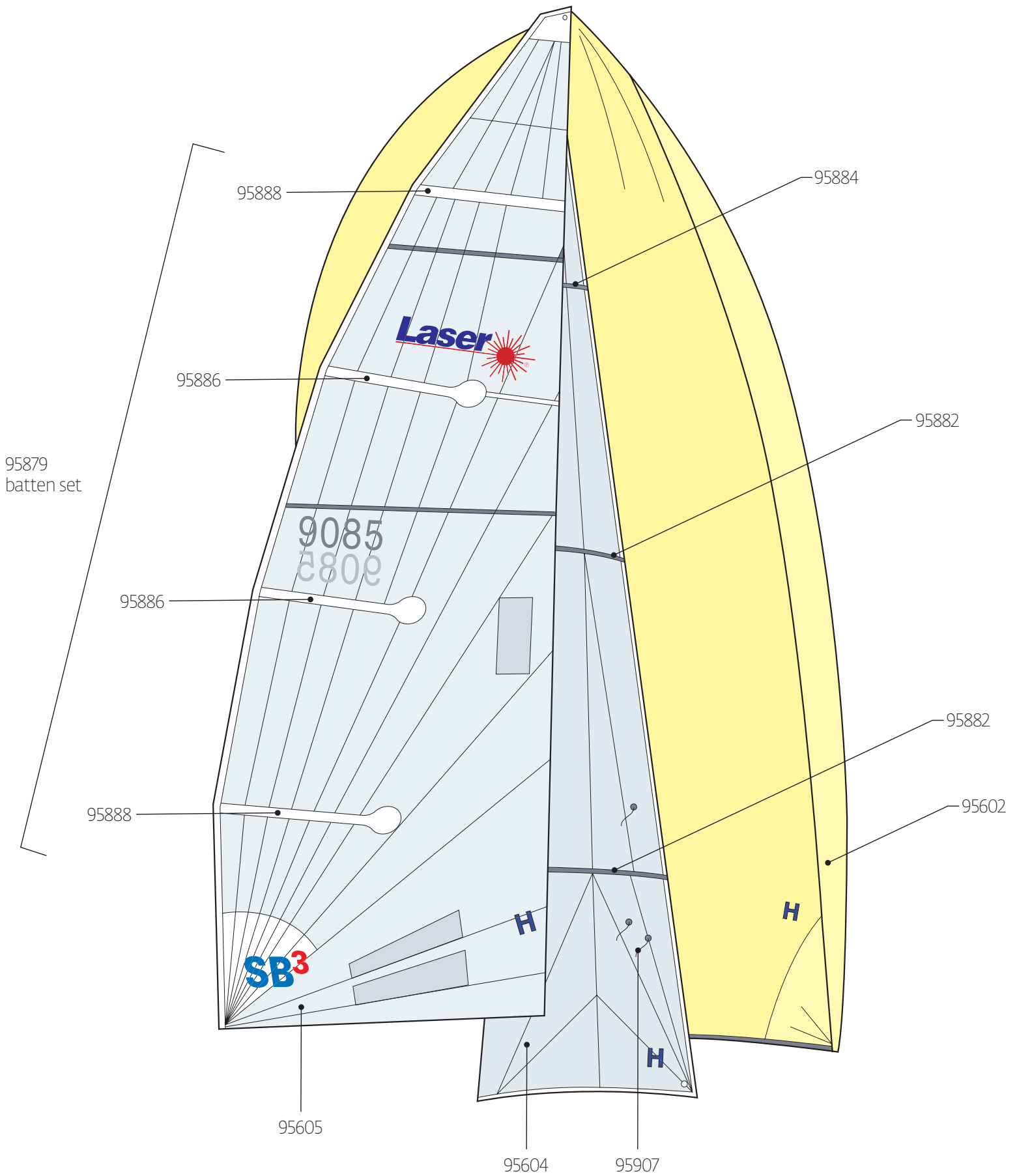
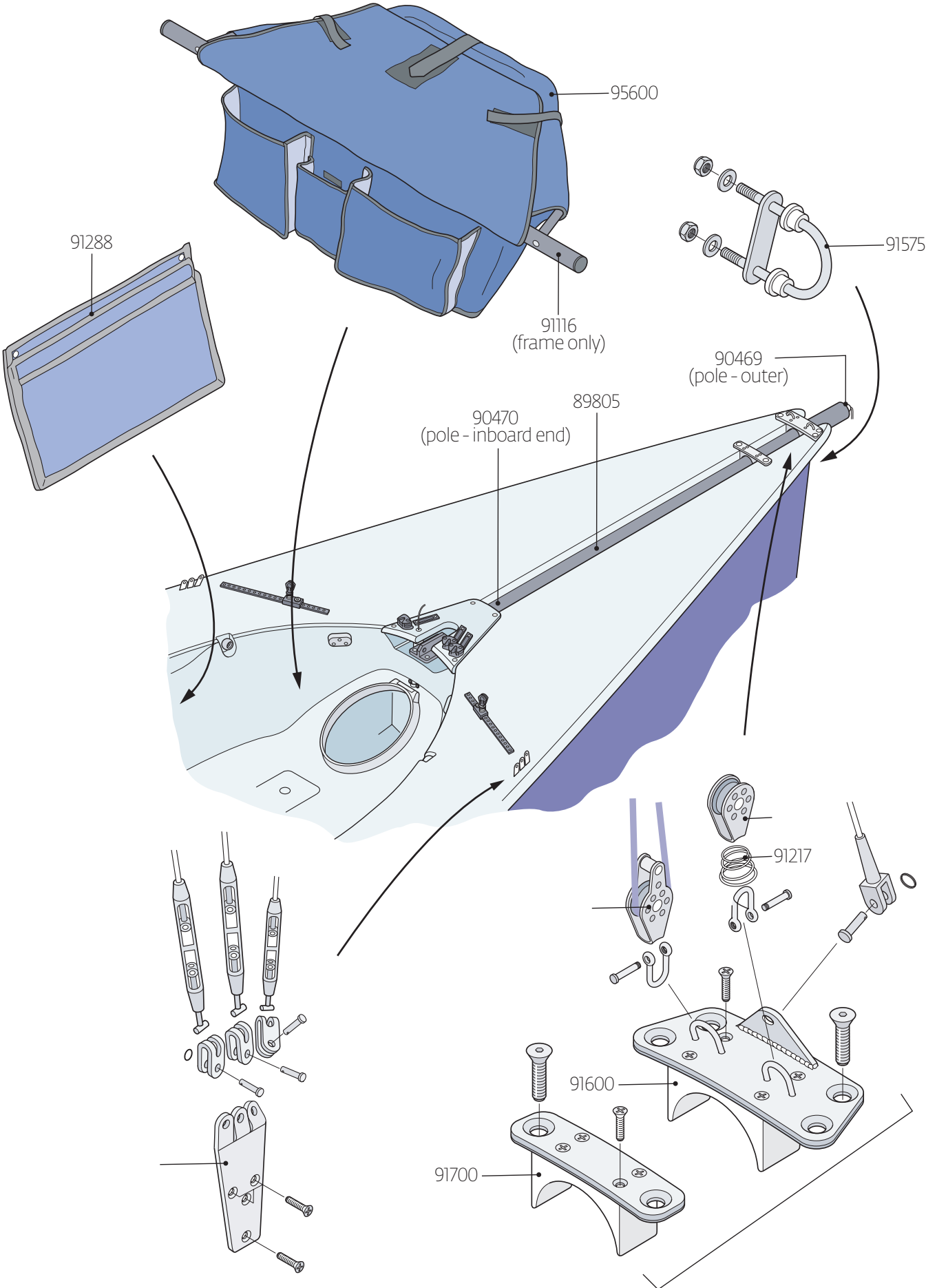


SB3 Parts Locator

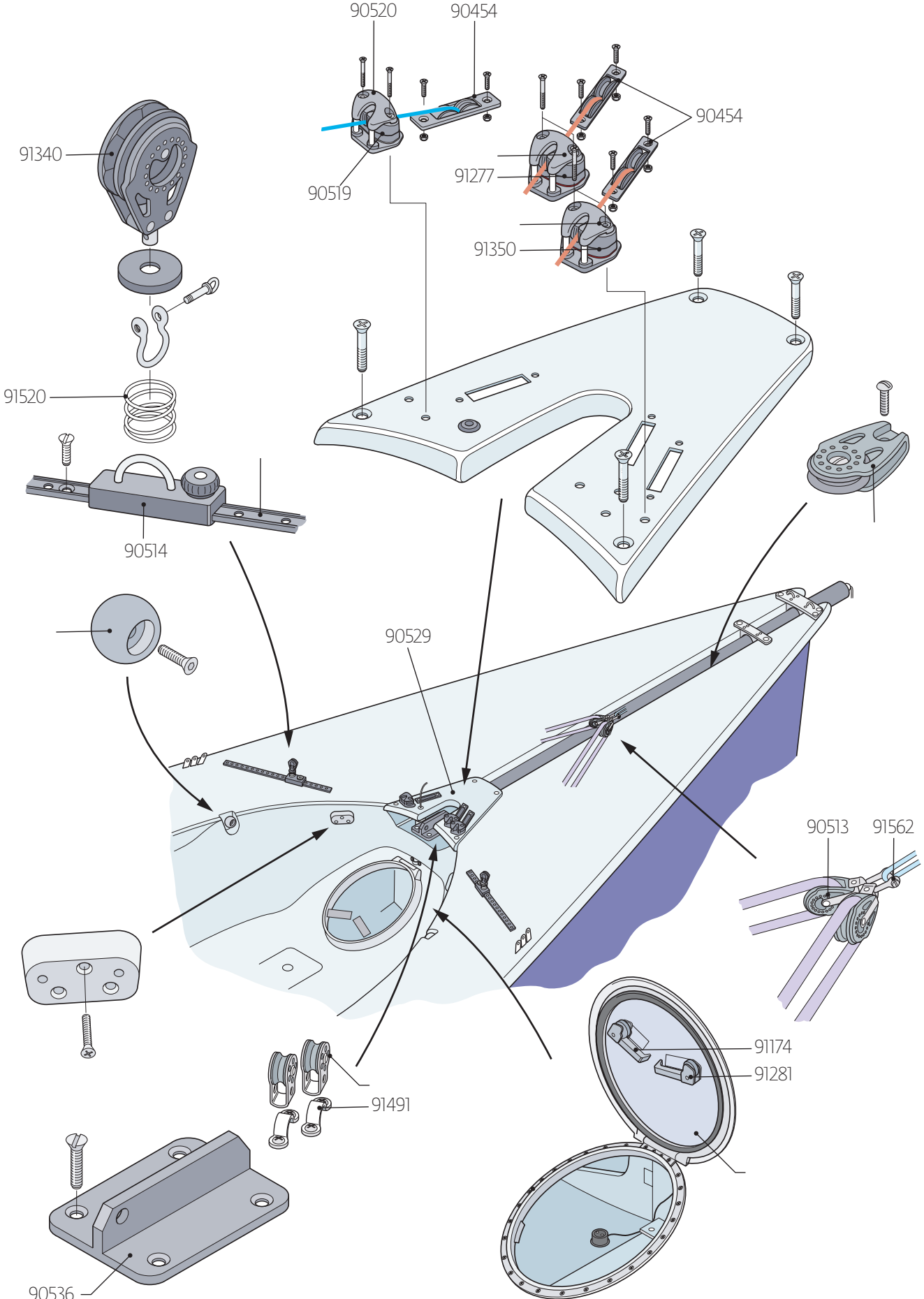
SB3 Sails



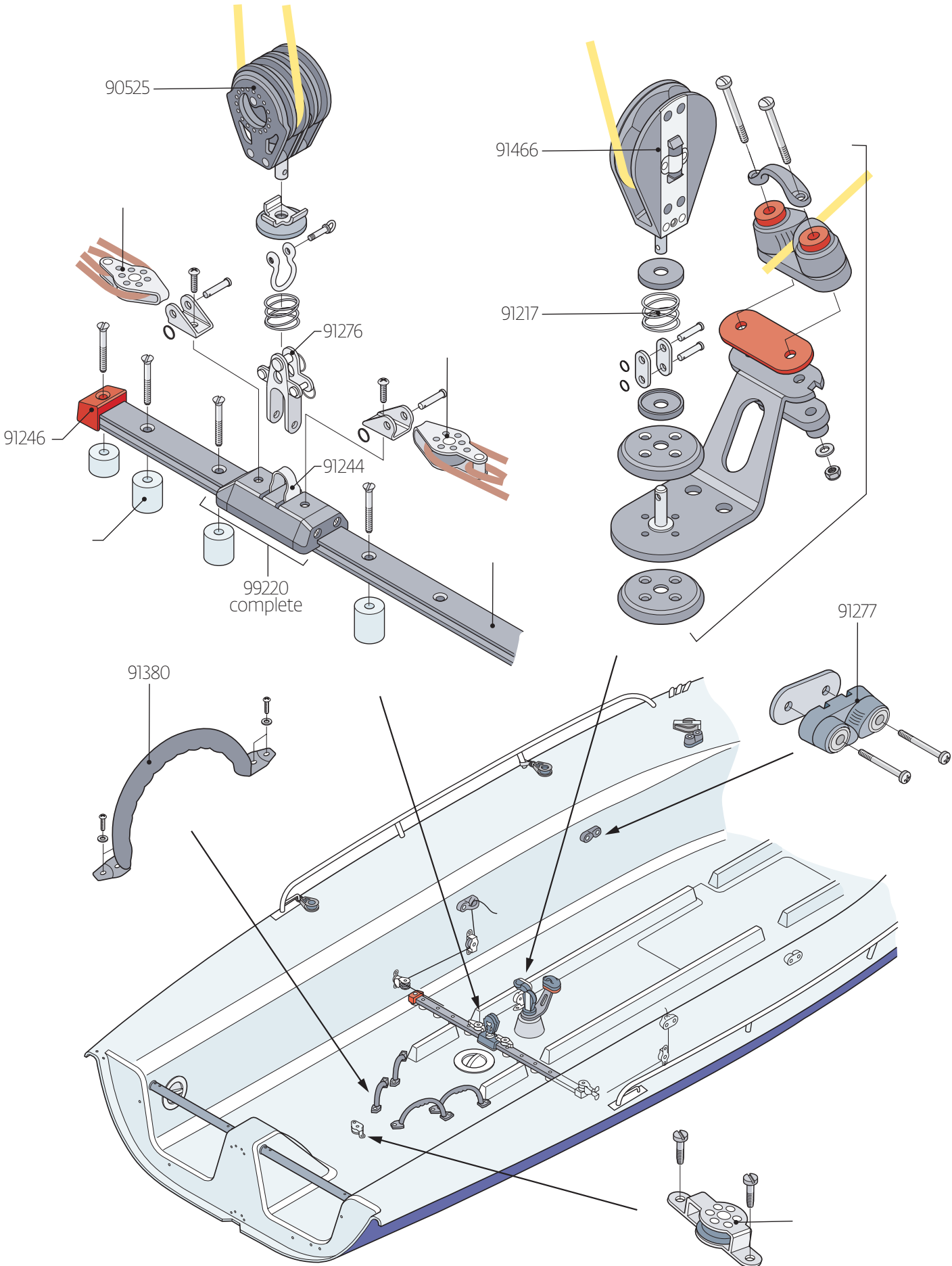
SB3 Deck



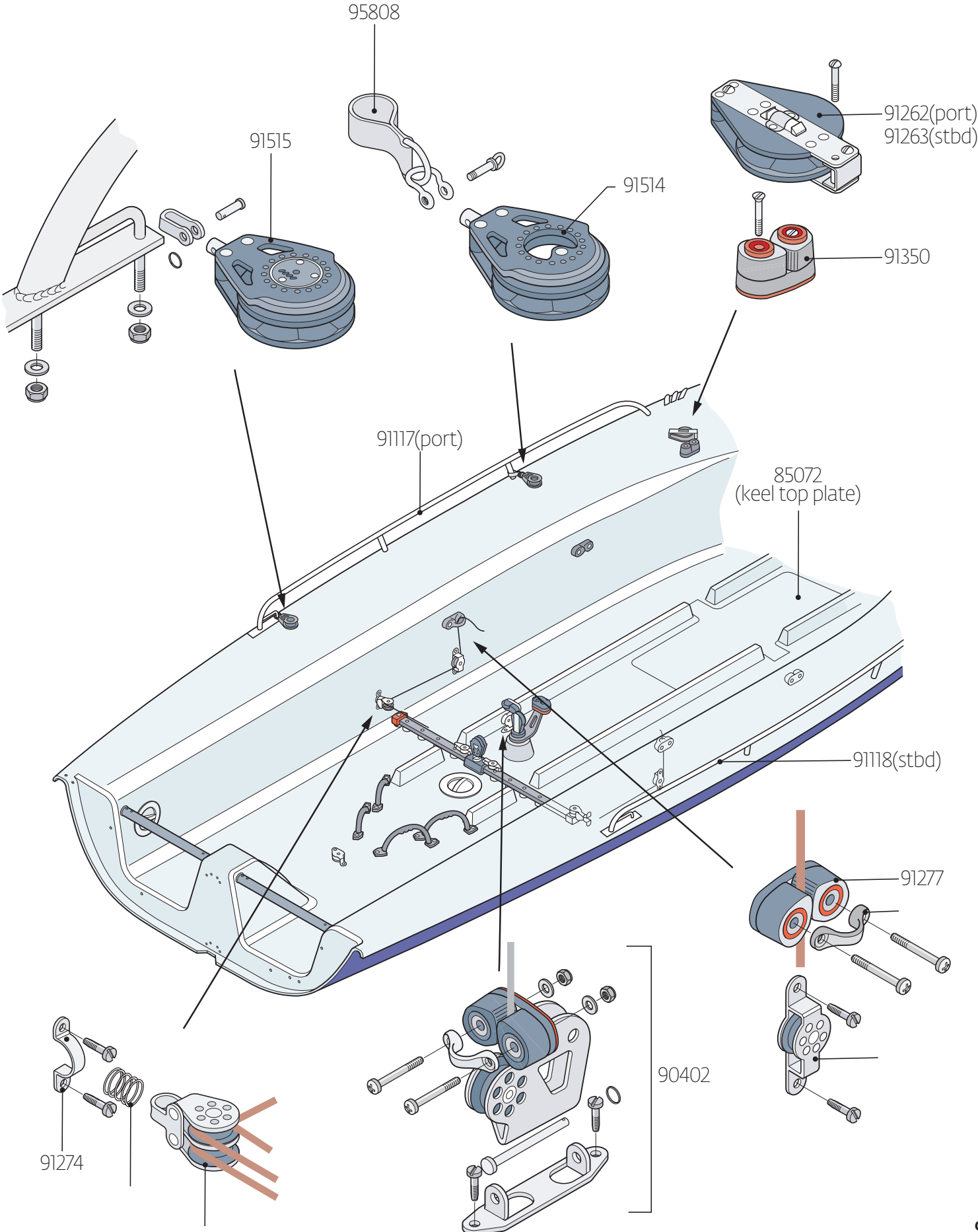
SB3 Deck



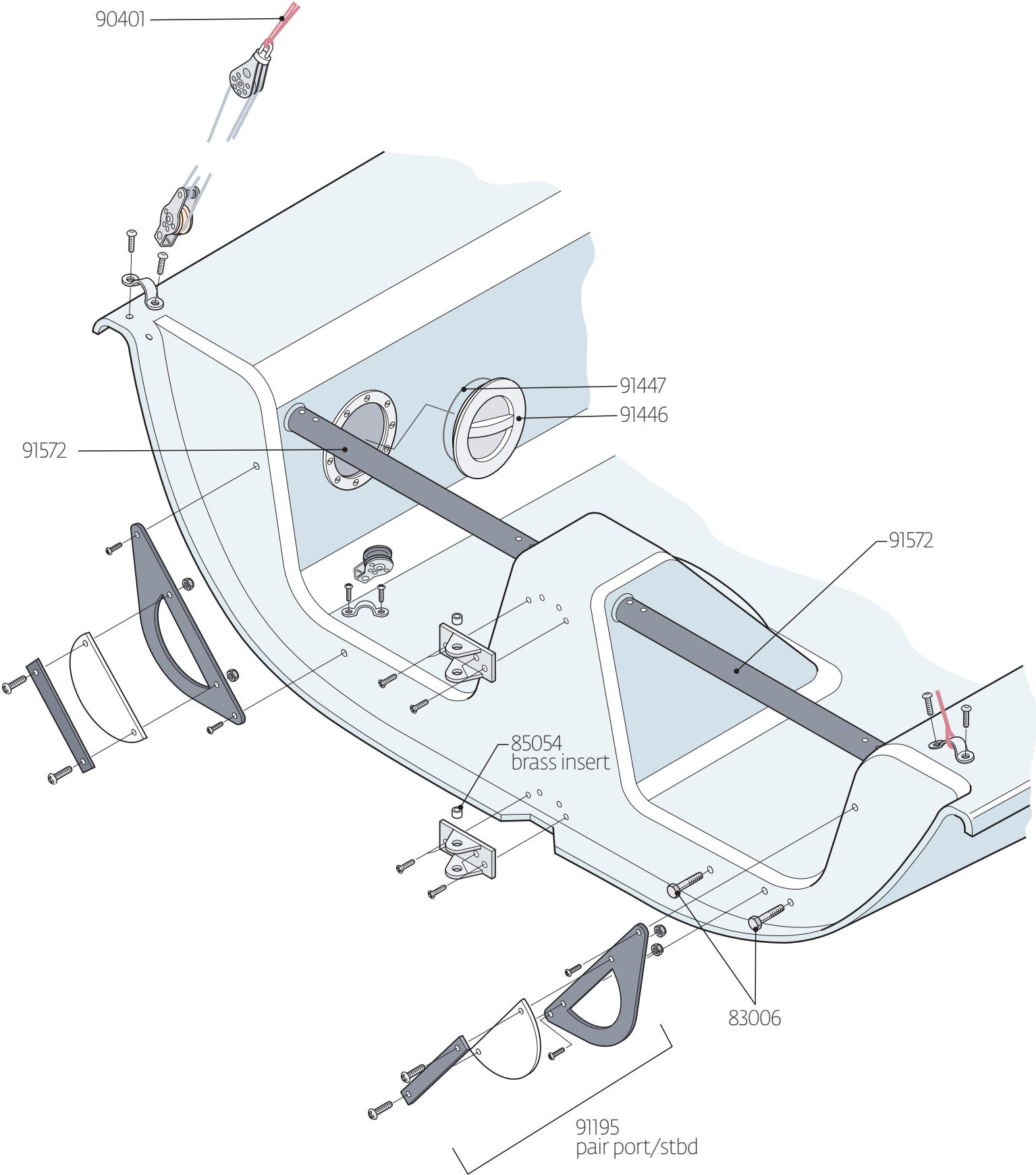
SB3 Mainsheet



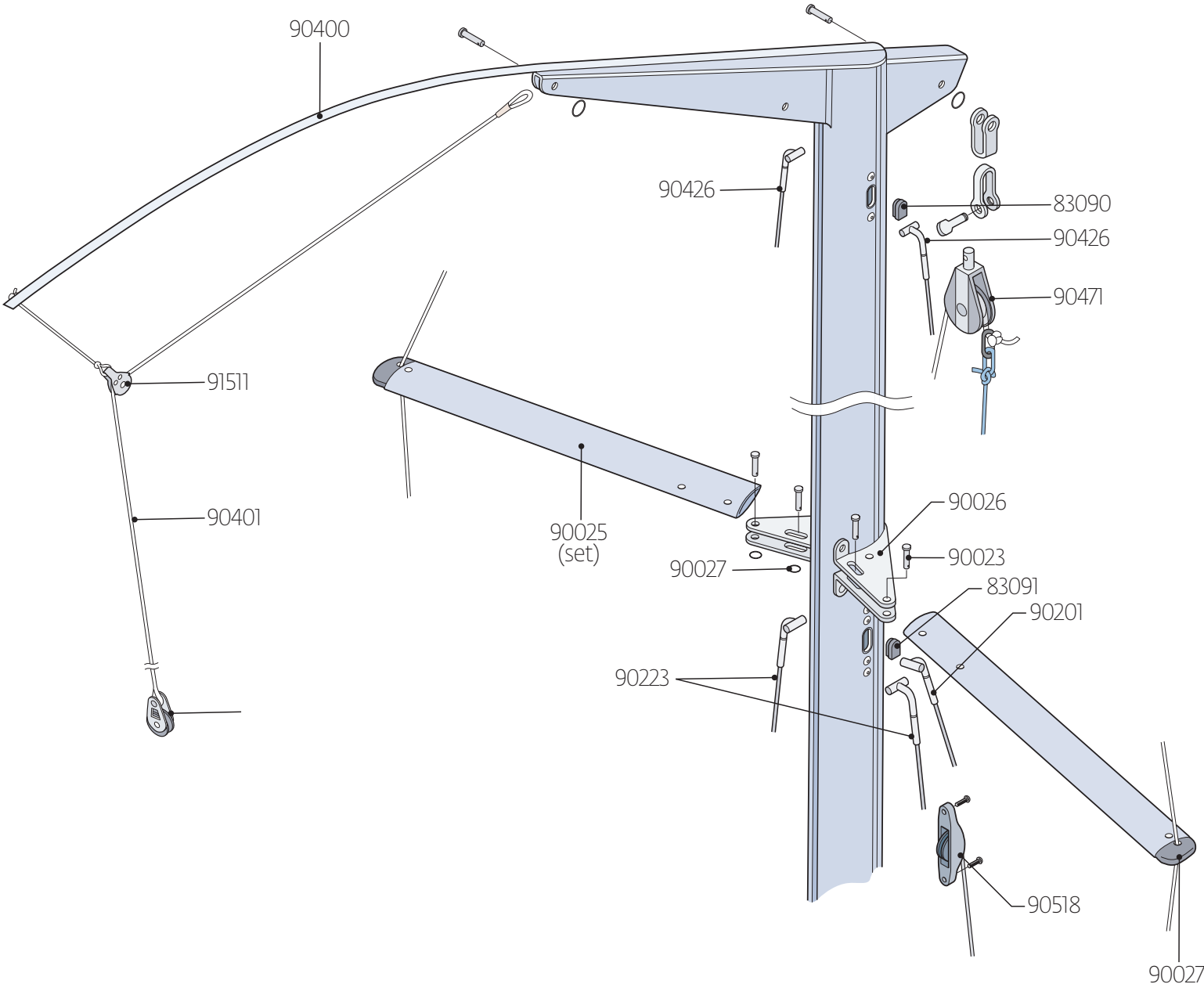
SB3 Deck



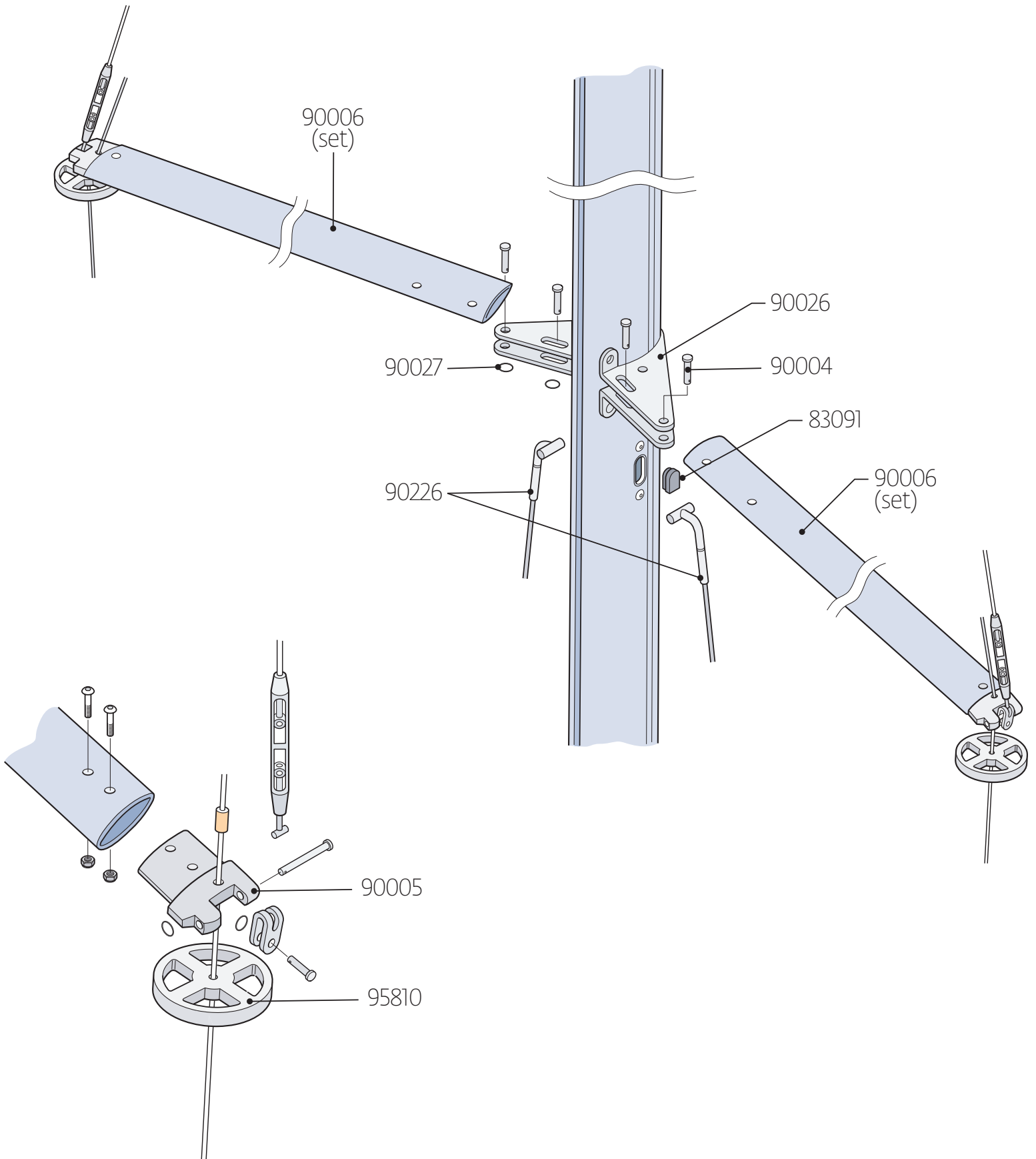
SB3 Transom



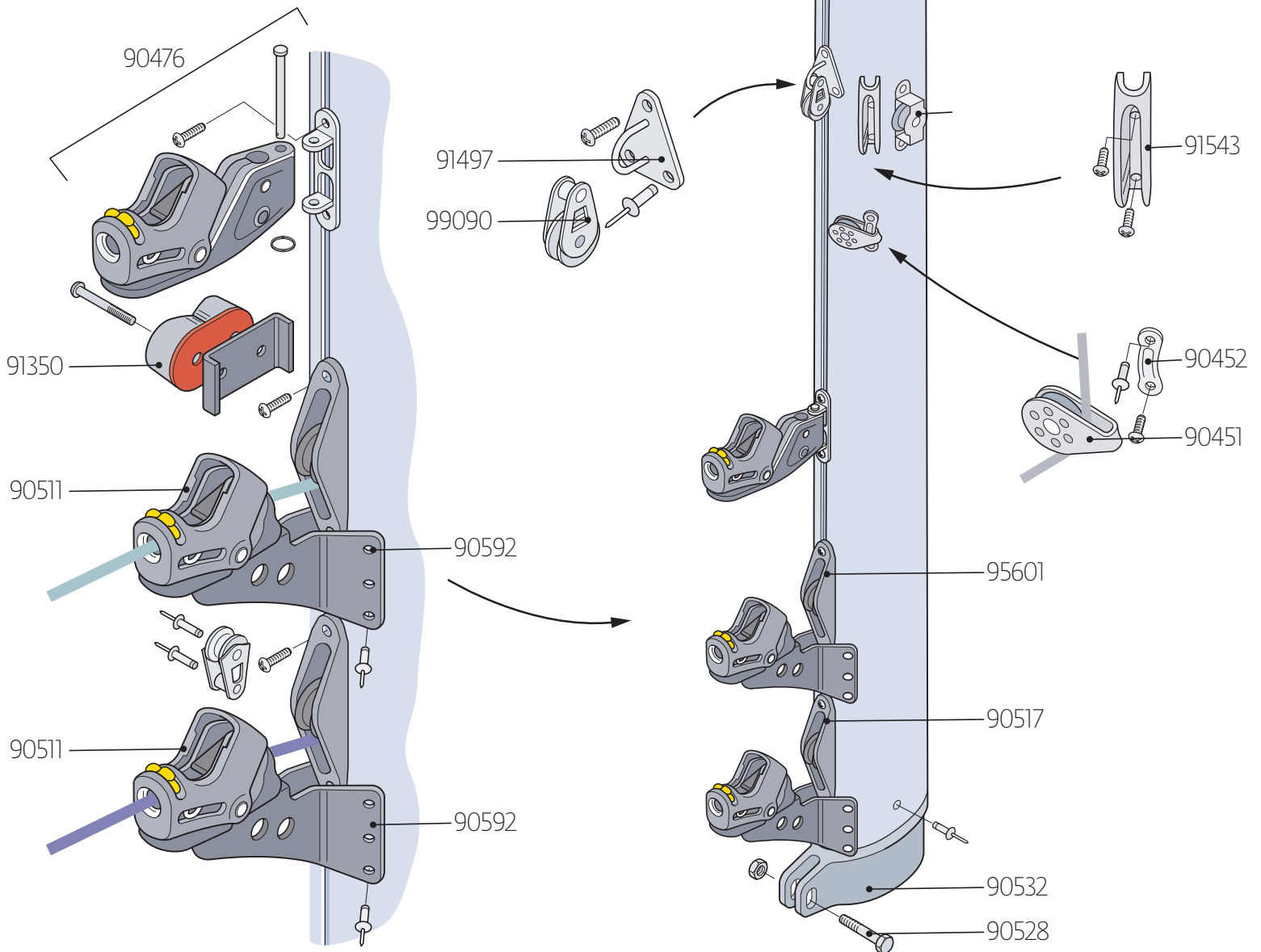
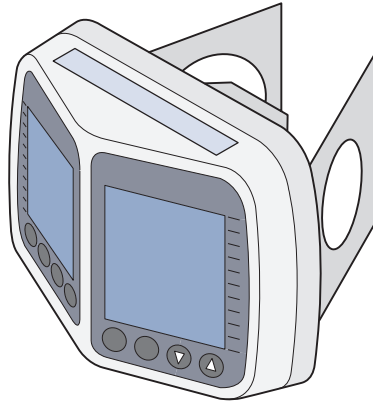
SB3 Mast Head



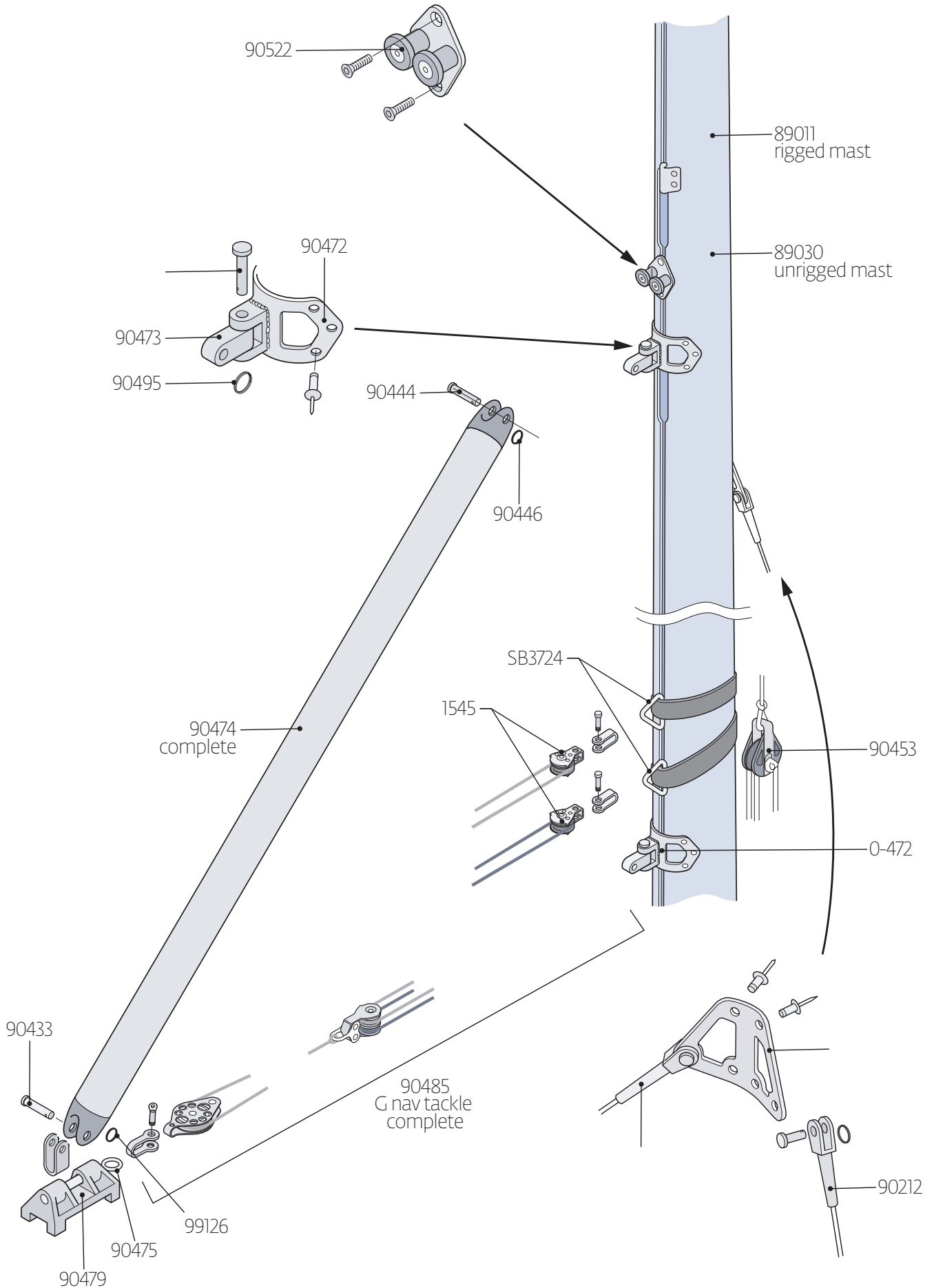
SB3 Mast



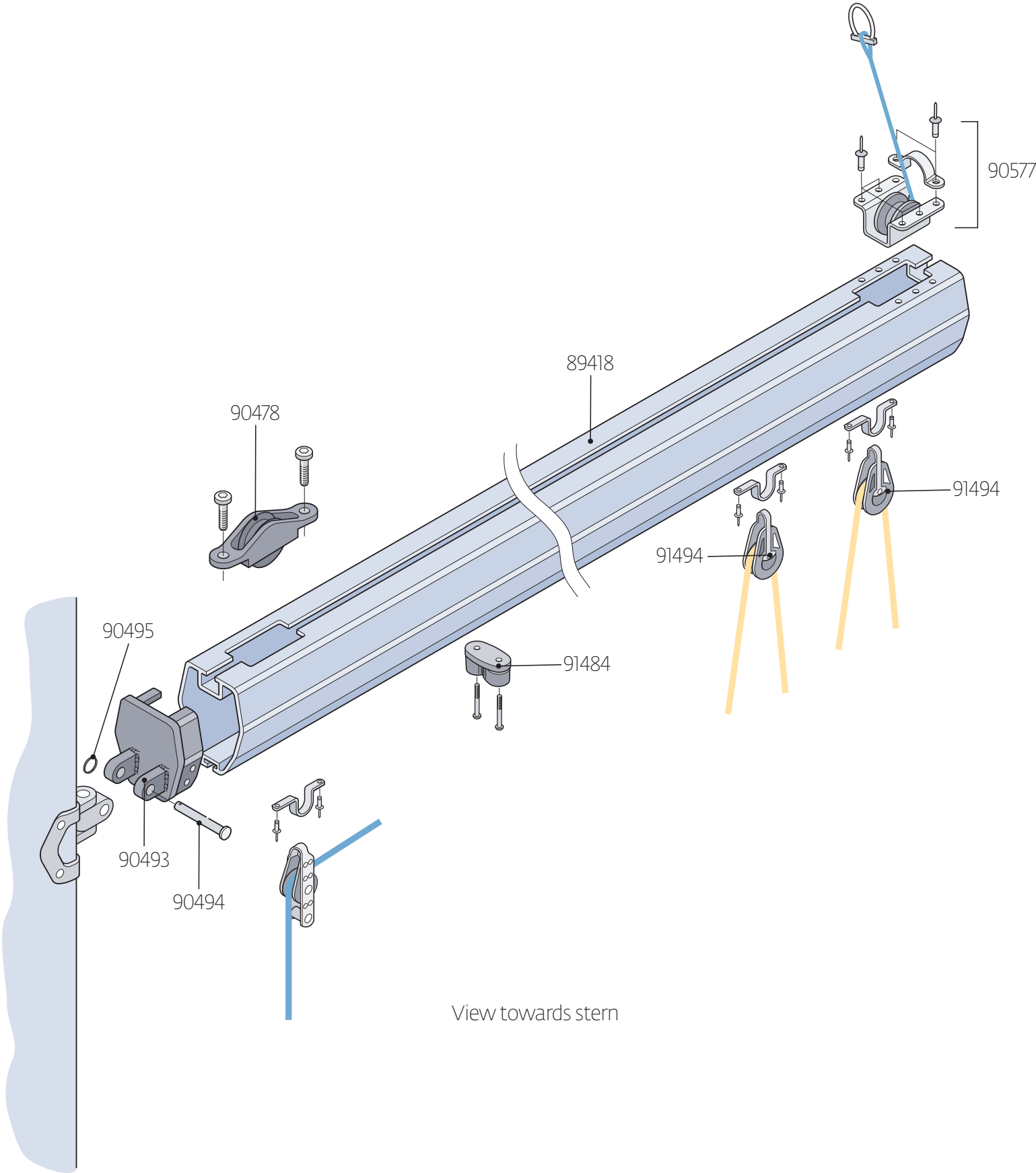
SB3 Mast



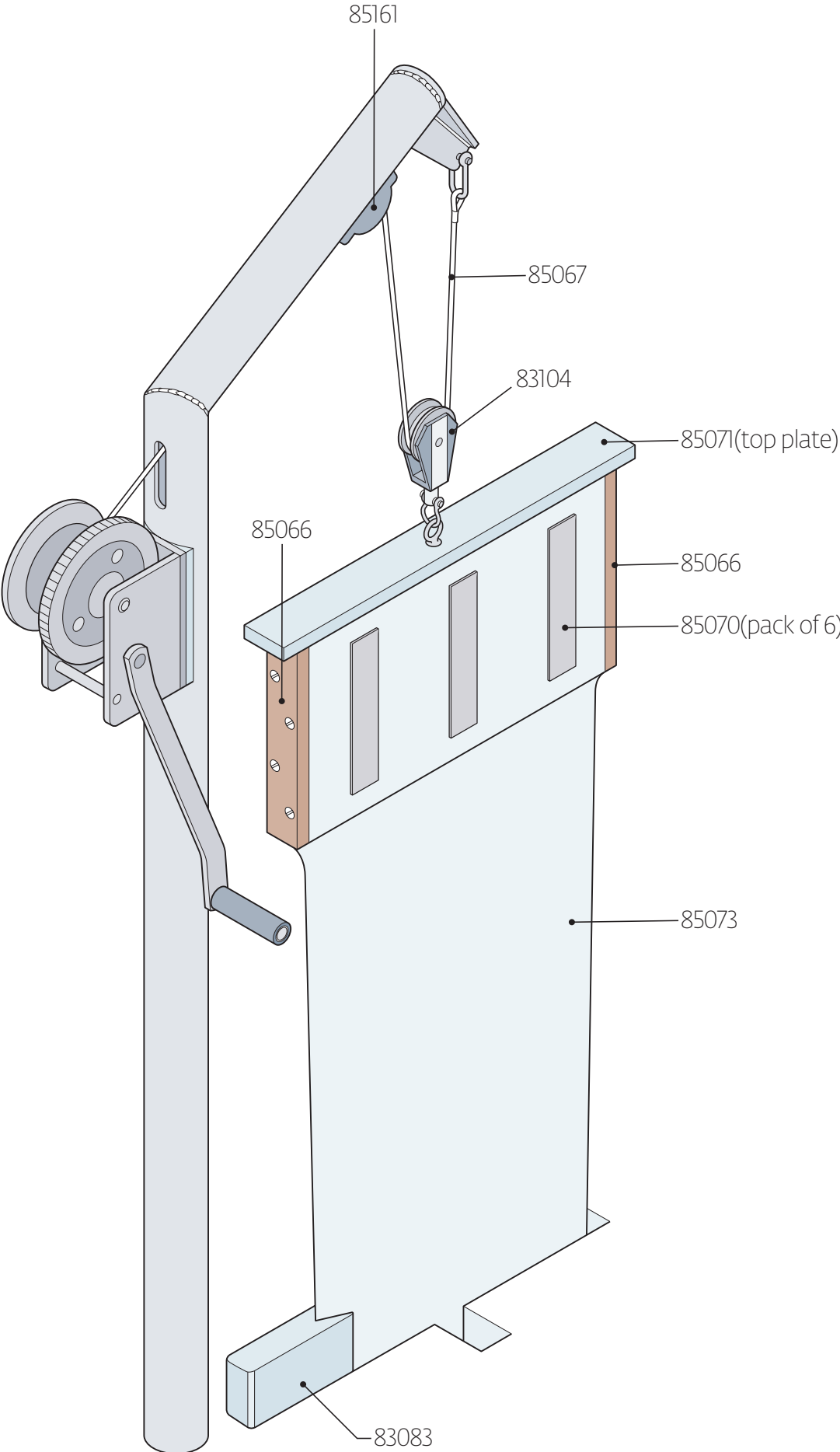
SB3 Gnav



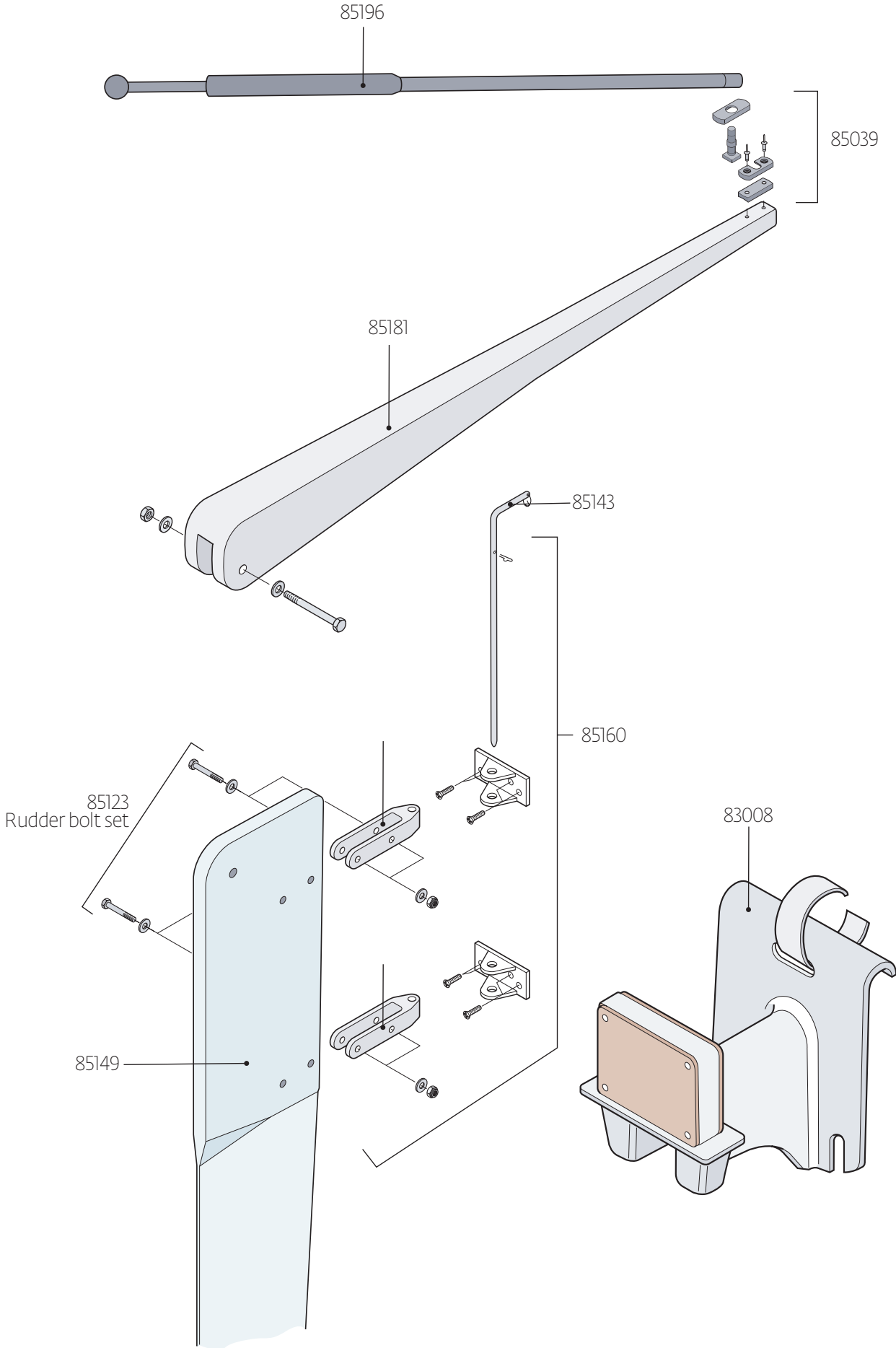
SB3 Boom



SB3 Keel



SB3 Rudder



LaserPerformance NORTH AMERICA
300 Highpoint Avenue
Portsmouth, Rhode Island 02871
USA
t +1 800 966 SAIL
f +1 401 683 0990

LaserPerformance EUROPE
Station Works, Long Buckby
Northamptonshire NN6 7PF
United Kingdom
t +44 (0) 1327 841600
f +44 (0) 1327 841601

LaserPerformance ASIA
Room 3415
China Merchants Tower
Shun Tak Centre
No. 168-200 Connaught Road Central
Hong Kong
t +852 2902 2818
f +852 2587 7868

LaserPerformance MIDDLE EAST
Dubai Investment Park
po box 38442
Dubai, UAE
t +9714 885 7601

LASERPERFORMANCE.COM

All rights reserved. ©2010 LaserPerformance. LaserPerformance and associated logos are trademarks. Laser, SB3, Sunfish, and Dart are trademarks used under license. LaserPerformance reserves the right to make design and/or specification changes to any of their products as part of their continuous development program.